

THE WORLD'S LEADING CAD/CAM SOFTWARE COMPANY

That's what we do. That's all we do.



Mastercam®

POWERED BY MASTERCAM'S
DYNAMIC MOTION™ TECHNOLOGY



MILL

LATHE

MILL-TURN

SWISS

WIRE

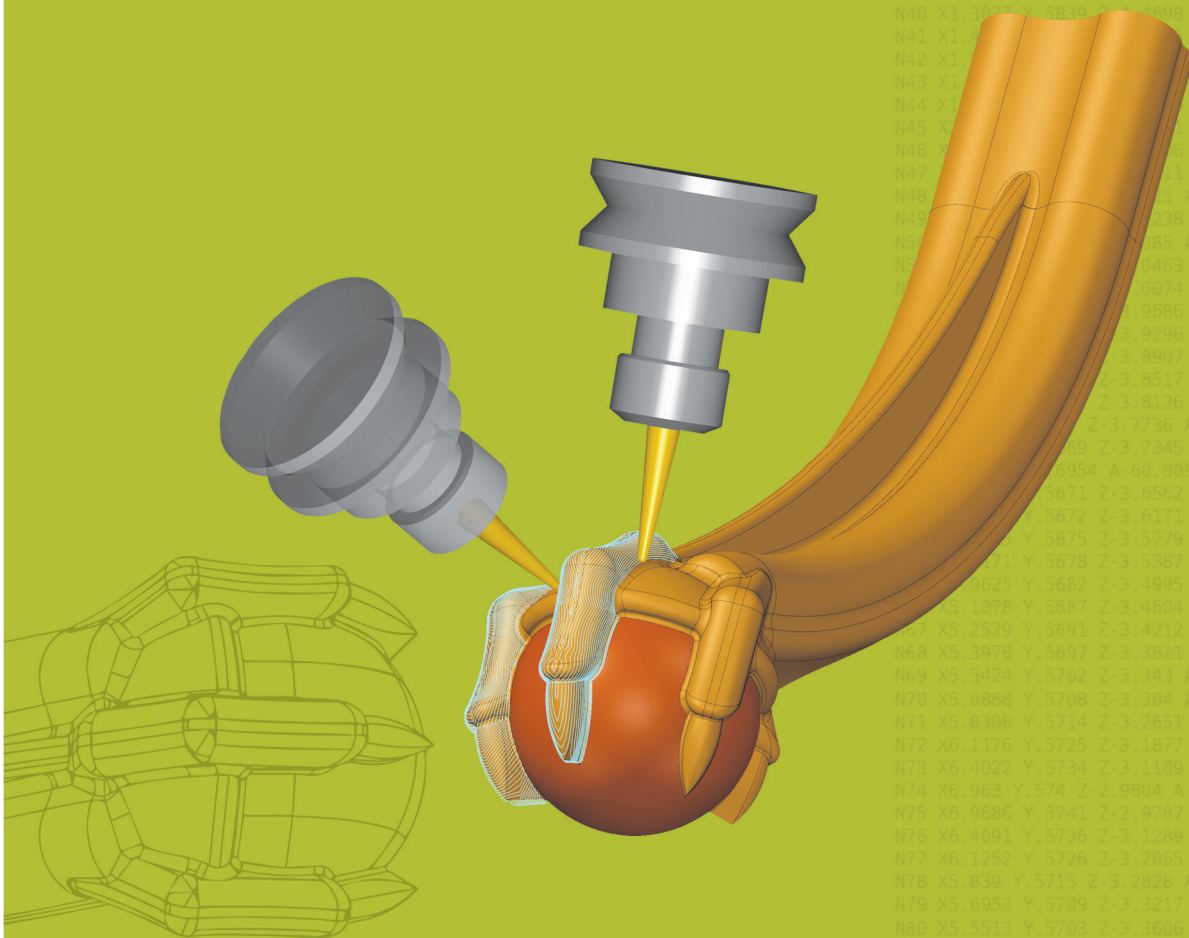
ROUTER

MASTERCAM for
SOLIDWORKS®

DESIGN

ROUTER

WE UNDERSTAND WOOD AND COMPOSITES.



The most widely-used CAD/CAM software in the world is now the most dynamic. Mastercam's embedded Dynamic Motion technology dramatically shortens production times while extending the life of your machine and tools. Mastercam Router is rich in features yet still simple and intuitive to use.

Mastercam®

POWERED BY MASTERCAM'S
DYNAMIC MOTION™ TECHNOLOGY

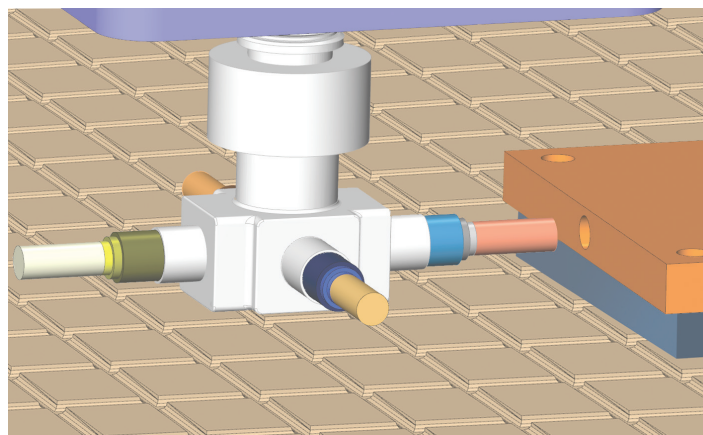


FLEXIBLE AND EXPANDABLE.

Mastercam Router offers a broad selection of solutions for your shop's wood or composite challenges — 2D, 3D, or multiaxis.

Once you program a part, no matter how complex, you can modify any element of the job and immediately get updated toolpaths without slowing down. You can also build a library of your favorite machining strategies. Choose any of your saved operations, apply them to a part, and Mastercam helps adapt them to the new model.

Mastercam's powerful Dynamic Motion technology not only helps extend tool life and reduce machine wear, but helps eliminate tool dwell damage. **Automatic Toolpathing** brings in parts from today's top design packages to help speed flat panel work.



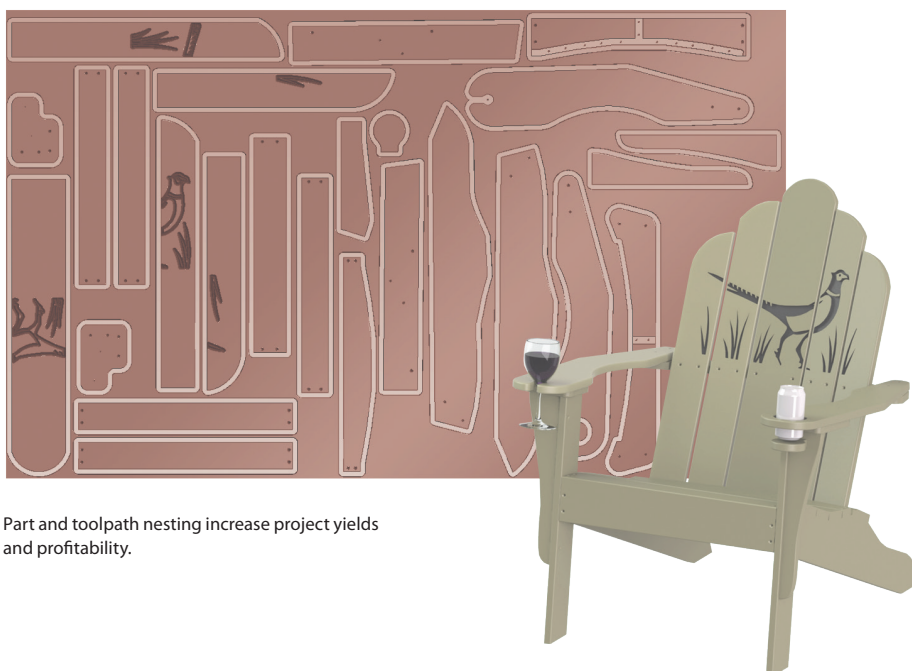
Mastercam Router streamlines multiple tool programming including block drills and aggregate heads.

A comprehensive package of powerful tools.

2D machining can range from simple to very complex. Mastercam Router delivers powerful 2D tools from contouring, pocketing, and drilling to automated, feature-based, solid model programming.

For 3D machining, Mastercam Router gives you streamlined, efficient 3D roughing and finishing, including automated leftover stock cleanup.

Mastercam's multiaxis interface is surprisingly simple and intuitive to use. And with Mastercam, you have complete control over the three crucial elements of multiaxis machining: cut pattern, tool axis control, and collision avoidance.



Part and toolpath nesting increase project yields and profitability.

For more information, visit MastercamRouter.com