

THE WORLD'S LEADING CAD/CAM SOFTWARE COMPANY

That's what we do. That's all we do.



Mastercam®

POWERED BY MASTERCAM'S
DYNAMIC MOTION™ TECHNOLOGY



MILL

LATHE

MILL-TURN

SWISS

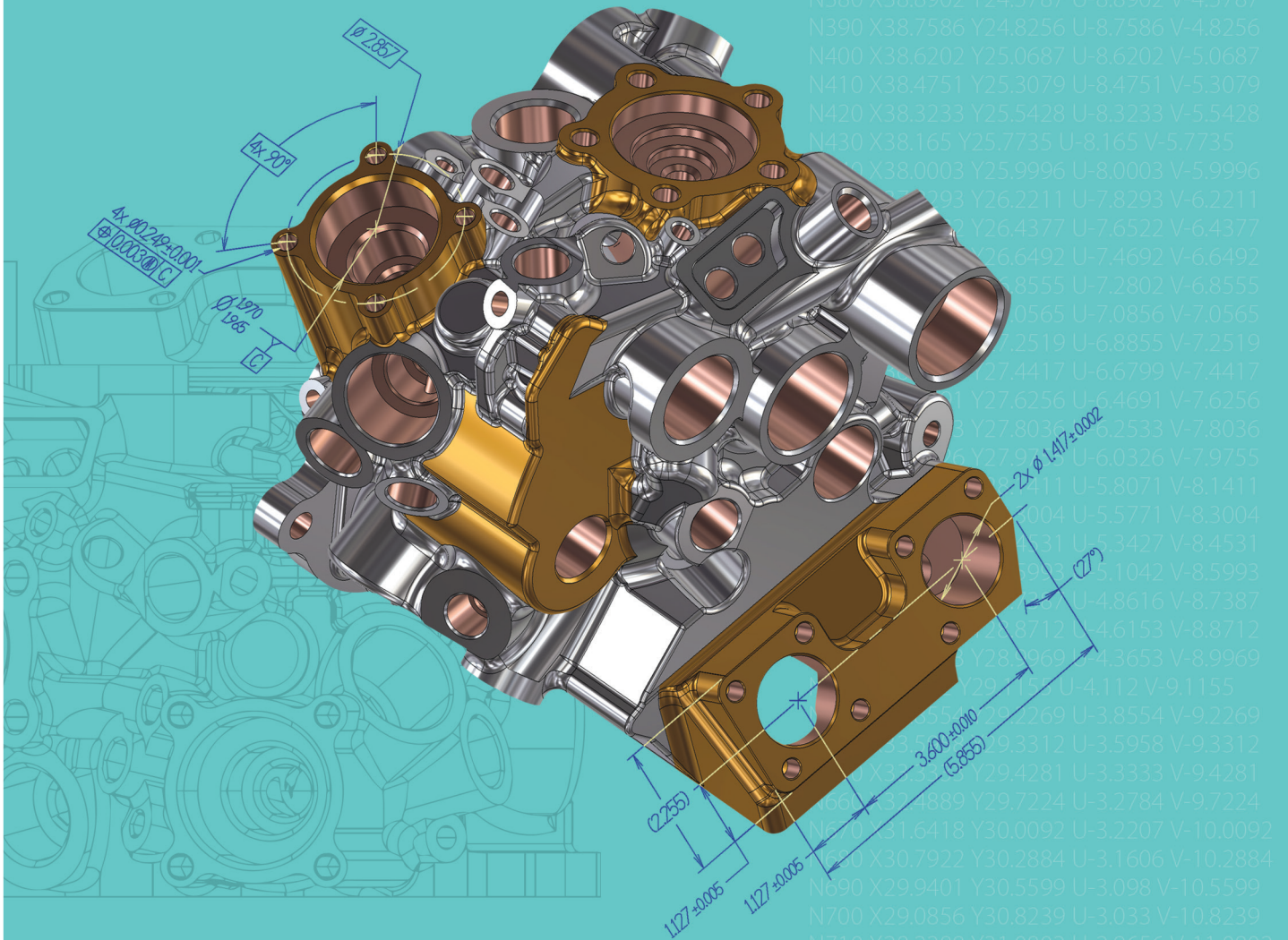
WIRE

ROUTER

MASTERCAM for
SOLIDWORKS®

DESIGN

CAD TOOLS FOR CAM PROGRAMMERS.



Mastercam's streamlined CAD makes design work easier than ever. Each piece of geometry is 'live,' letting you quickly make modifications until it's exactly what you want.

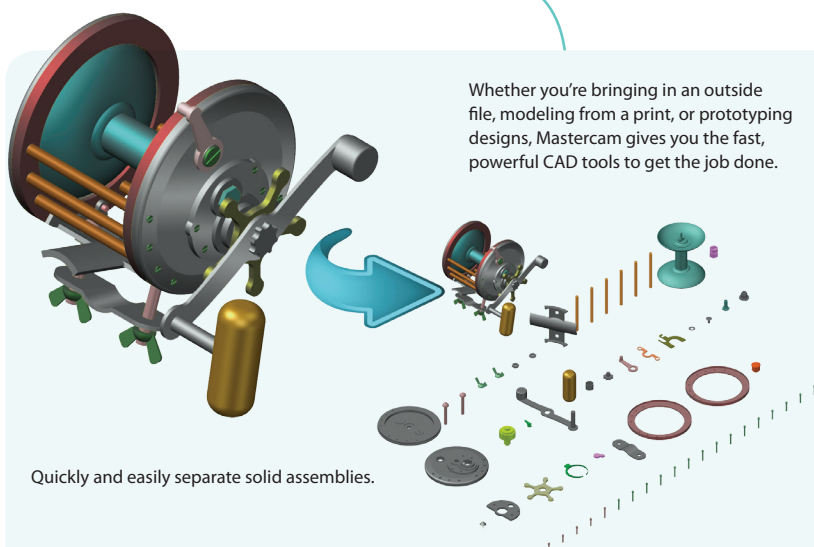
Mastercam®

POWERED BY MASTERCAM'S
DYNAMIC MOTION™ TECHNOLOGY



MASTERCAM'S MODELING AND PREP TOOLS GET YOUR PARTS ON AND OFF THE MACHINE QUICKLY.

Whether you're bringing in a file from an outside CAD package or designing one yourself, Mastercam's powerful CAD engine gives you control over the final details of even the most complex jobs.



Whether you're bringing in an outside file, modeling from a print, or prototyping designs, Mastercam gives you the fast, powerful CAD tools to get the job done.

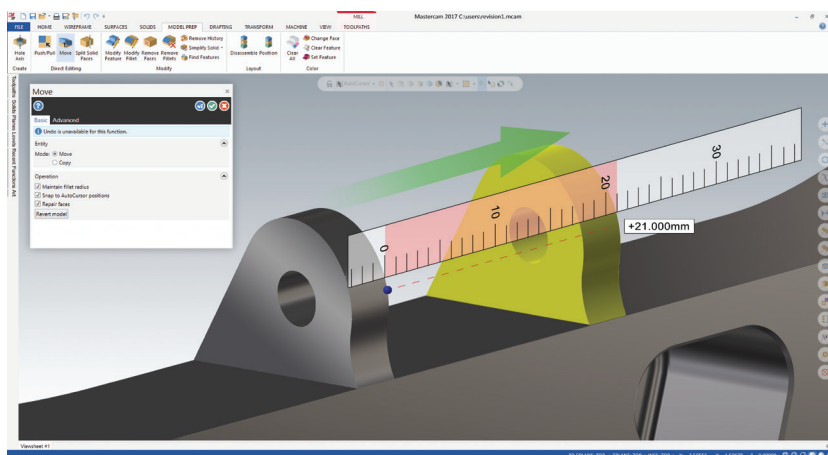
Quickly and easily separate solid assemblies.

Accept files from virtually any source.

Mastercam accepts file formats from whatever system you need, including IGES, Parasolid®, SAT (ACIS solids), AutoCAD® (DXF, DWG, and Inventor™ files), SOLIDWORKS® (including history tree), Solid Edge®, SpaceClaim, STEP, EPS, CADL, STL, and more. Add-On translators are available for Siemens NX, CATIA®, Pro/E (PTC Creo), and more.

Whether you are prepping customer files...

Getting a part file from an outside source can pose unique challenges. You might need to repair a surface, cap an area, create an electrode, or just make sure your fixtures are represented on the part. Mastercam includes a powerful set of prep tools to make sure the process goes smoothly. From robust surface creation and editing to "push-pull" solid model editing, Mastercam gives you the tools to bring a part from the designer's desk to your machine, fast. Mastercam will even recognize features on history-free solids and give you the power to edit, remove, or build on them with a few simple clicks.



Push, pull, remove, and directly edit features on imported solids, even if they have no history.

...Or building your own from scratch.

Having powerful CAD at your fingertips makes your CAM system that much more effective. Mastercam includes a robust set of modeling tools from complete wireframe and surface modeling to history-based solid modeling. A true hybrid modeling system, Mastercam lets you create, combine, and machine whichever CAD geometry suits you best. Fast dimensioning and entity analysis tools ensure that any part you model will be precise and ready to apply accurate toolpaths that give you the NC code you need.

For more information, visit MastercamDesign.com